



**SPECIFICATION SHEET - appliances**

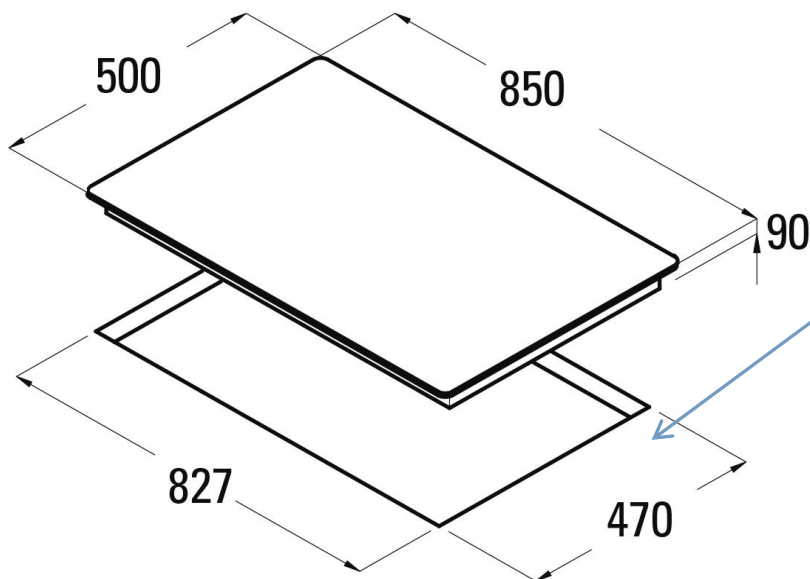
<b>BRAND:</b>		<b>Product Photo:</b>  
<b>ORIGIN:</b>	SPAIN	
<b>SERIES:</b>	L905T1	
<b>PRODUCT DESCRIPTION:</b>	<b>Built-in 5-Gas Hob Inox (LPG)</b> . enameled grids . auto ignition, safety valve . 5 cooking zones 3.5kw triple ring + 3.0kw fast 1.0kw auxiliary + 2x 1.75kw semi	
<b>MODEL No.</b>	0800.5350	
<b>FINISH/COLOUR:</b>	STINLESS STEEL	
<b>DIMENSIONS:</b>	850 x 500mm	
<b>OPTIONAL MATCHING PARTS:</b>		

**Technical Informations:**

Voltage: 220V / 50~60 Hz

Power: 2500W

Phase: single+grounding



Cut 4 corners must be in round to avoid table tap cracking

<b>REMINDER:</b>	Do not use cleaners containing abrasive cleansers, ammonia, bleach, acids, waxes, alcohol, solvents or other products not recommended for chrome.
	All information is for reference only, installation shall always be based on the actual product delivered.